

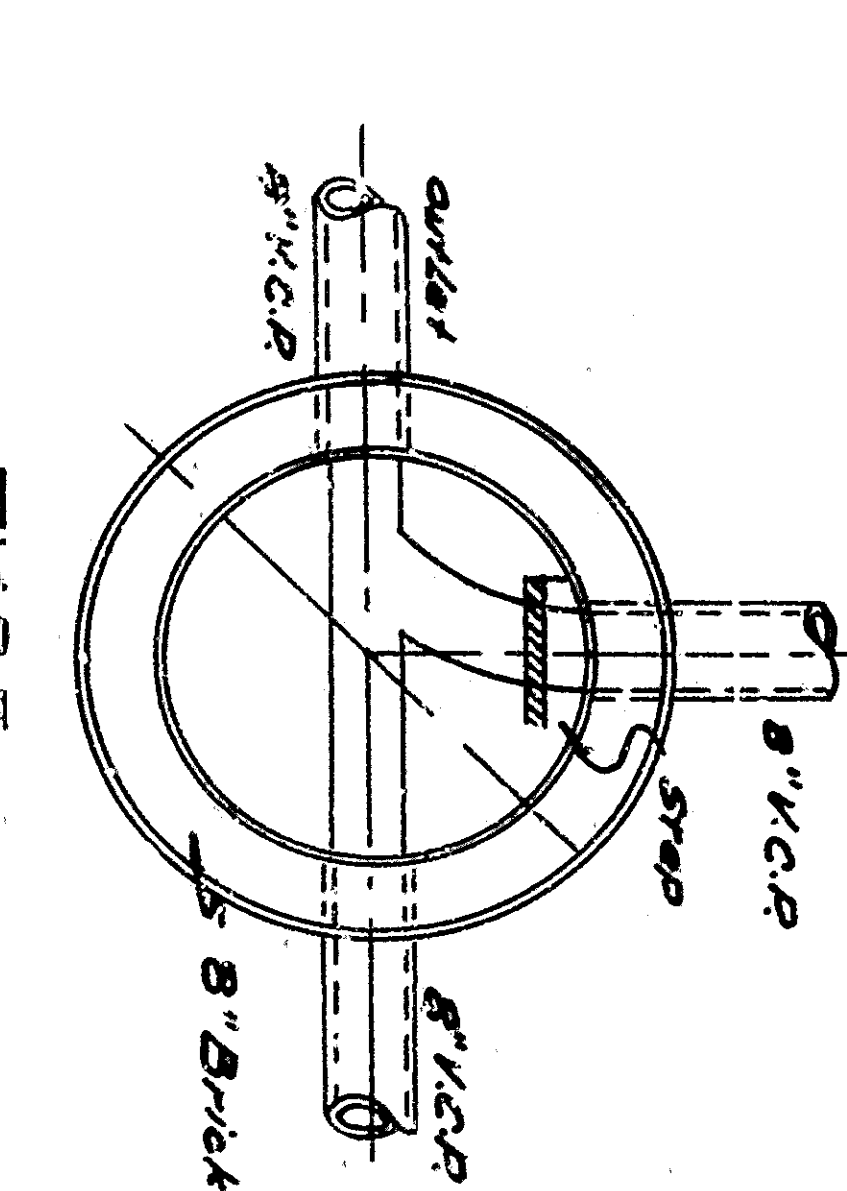
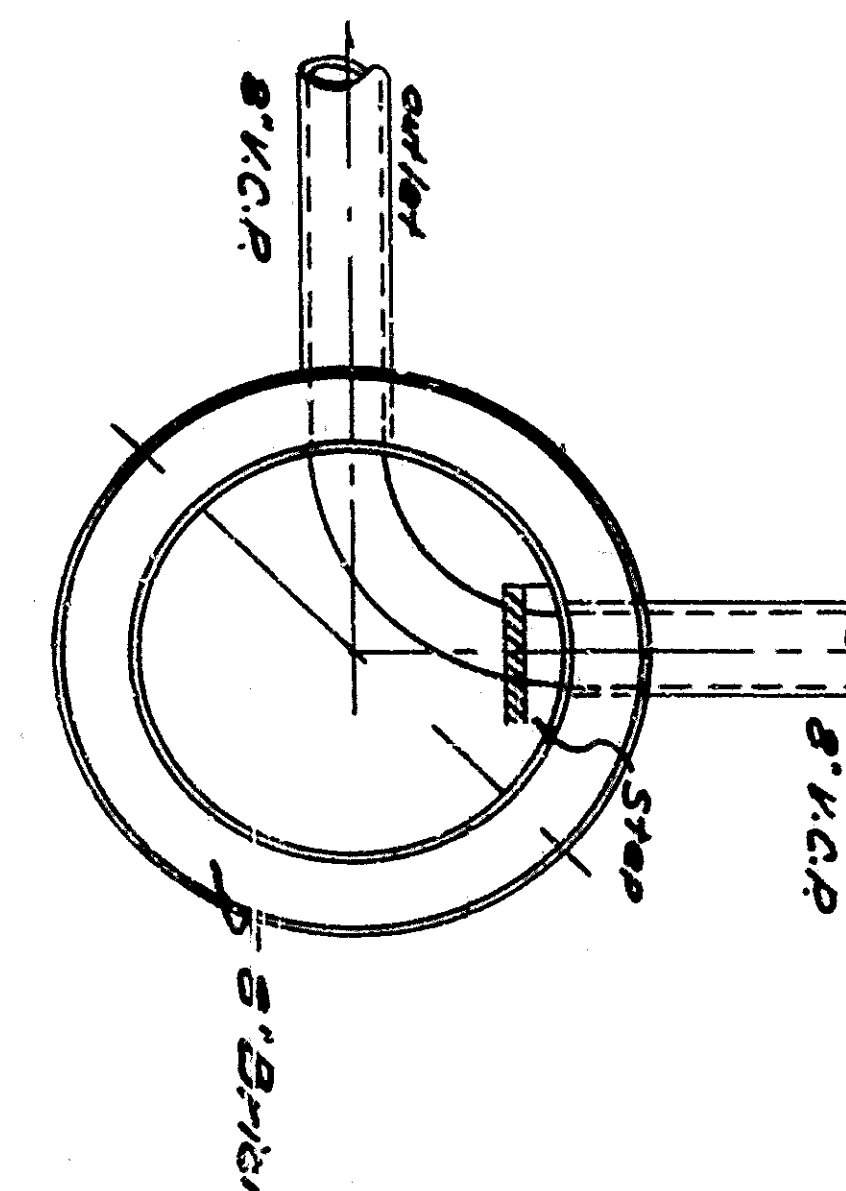
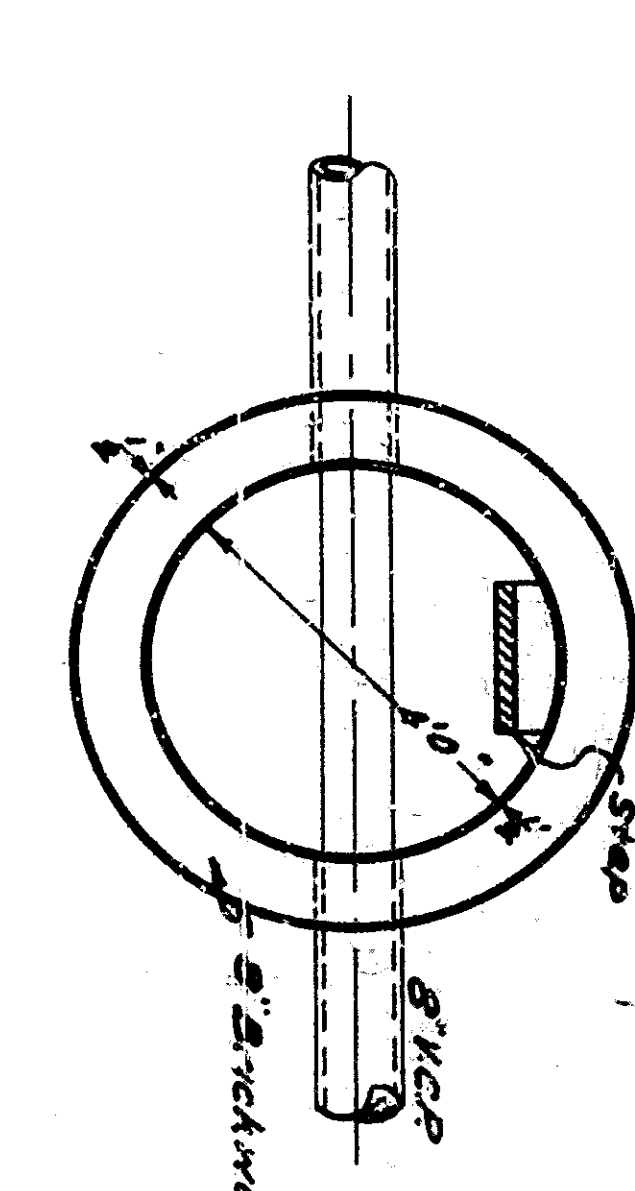
PLAN
SCALE 1"=40'

PROFILE
Scale 1/4"=1'-0"
VERT. 1"=4'
HORIZ. 1"=40'

GENERAL NOTES:

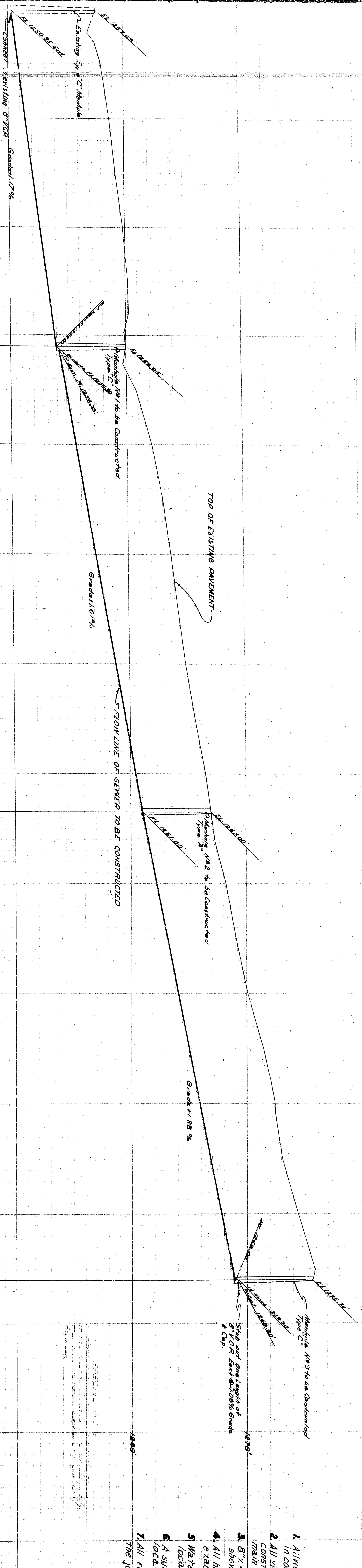
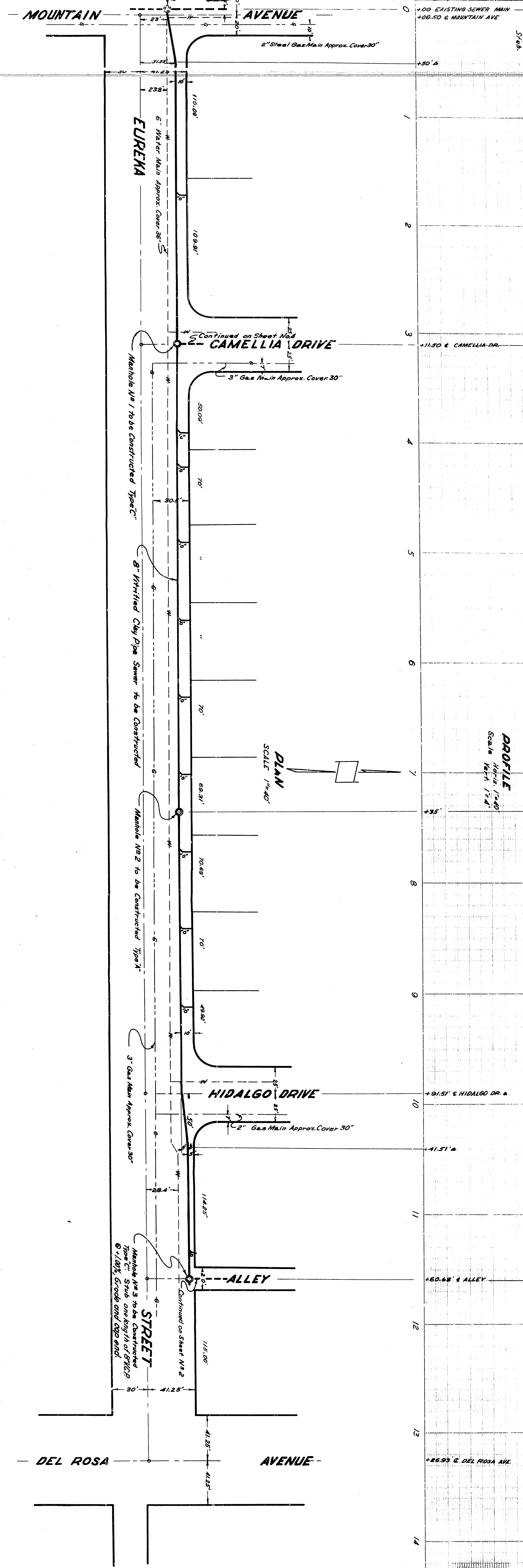
1. All work embodied on these plans shall be done in conformity with applicable provisions of specifications and standards.
2. All vitrified clay pipe connections shall be constructed on an upward grade of two percent from manhole to manhole.
3. 8" x 4" manholes with connecting sewer to be constructed as shown in plan thus:
4. All house connection locations are approximate and exact locations shall be determined in the field.
5. Manholes not dimensioned are shown at approximate locations only.
6. A system of abandoned water mains of unknown location exists within the area covered with use shown in plan.
7. All radii & curves in pipe shall be taken up within the joints of the pipe as shown on plan.

B. M. Seeger, Inc. Civil & Mechanical Engineers
E. 1837 80



DEL ROSA ESTATES
SEWER PLAN
EUREKA STREET
MOUNTAIN AVENUE to DEL ROSA AVE.

August 12, 55
R. J. 23/12
1955



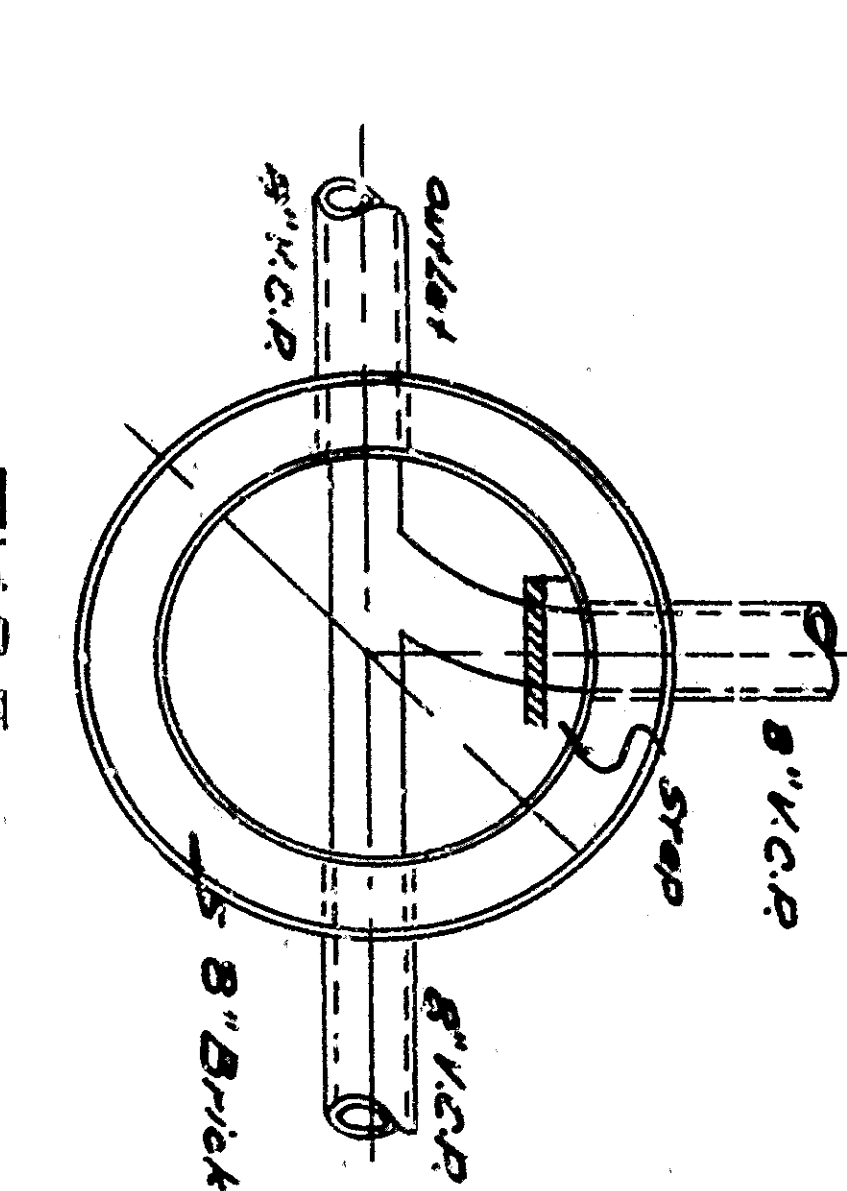
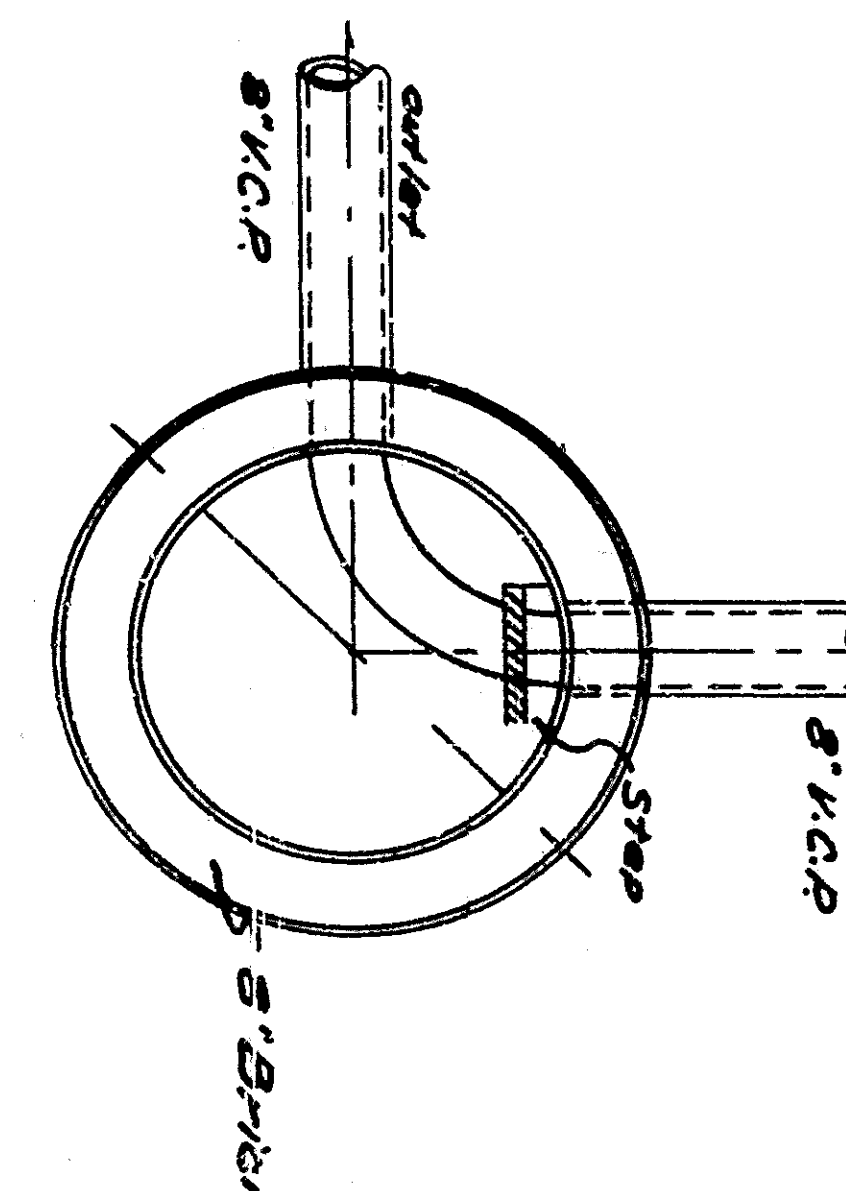
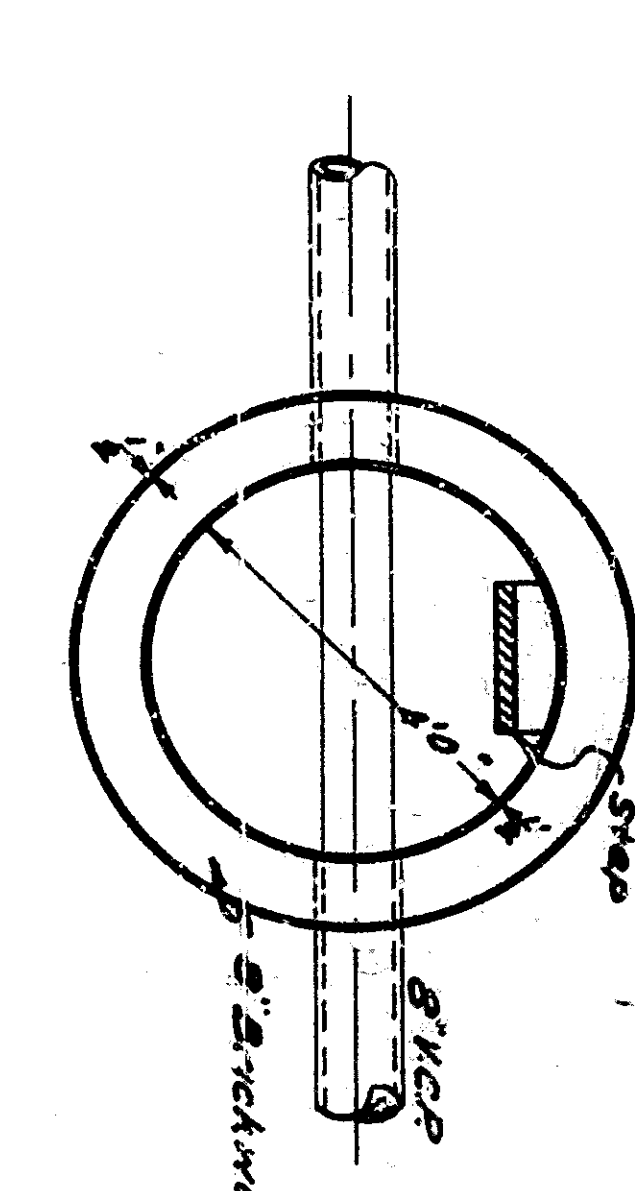
PLAN
SCALE 1"=40'

PROFILE
Scale 1/4"=1'-0"
VERT. 1"=4'
HORIZ. 1"=40'

GENERAL NOTES:

1. All work embodied on these plans shall be done in conformity with applicable provisions of specifications and standards.
2. All vitrified clay pipe connections shall be constructed on an upward grade of two percent from manhole to manhole.
3. 8" x 4" manholes with connecting sewer to be constructed as shown in plan thus:
4. All house connection locations are approximate and exact locations shall be determined in the field.
5. Manholes not dimensioned are shown at approximate locations only.
6. A system of abandoned water mains of unknown location exists within the area covered with these plans. All radii & curves in pipe shall be taken up within the joints of the pipe as shown on plan.

B. M. Squire, Inc. Civil & Mechanical Engineers
E. 1837 80



DEL ROSA ESTATES
SEWER PLAN
EUREKA STREET
MOUNTAIN AVENUE to DEL ROSA AVE.

August 12, 55
R. J. 23/12
1955